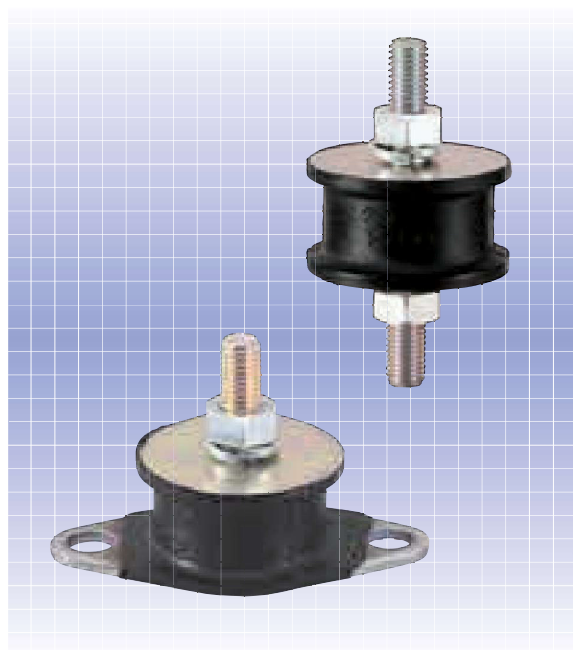


# KA/KB

Circular anti-vibration rubber mounts

Circular anti-vibration  
rubber mounts  
**KA/KB**



## Features

### 1.Simplified structure and low cost

Simplified structure makes possible easy installation.

### 2.Space-effective

Able to support heavy load via high spring constant for the size.

### 3.Available various mounting arrangements

Compression direction, shearing direction, inclining direction, etc.

### 4.Easy available custom-made

We accept special orders for custom-made rubber hardness spring or elastomer if you place large order.

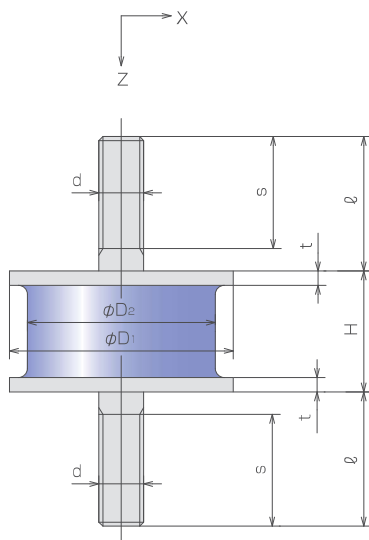
## Typical applications

**Pump, Ventilator, Engine, Generator, Motor, Compressor, etc.**

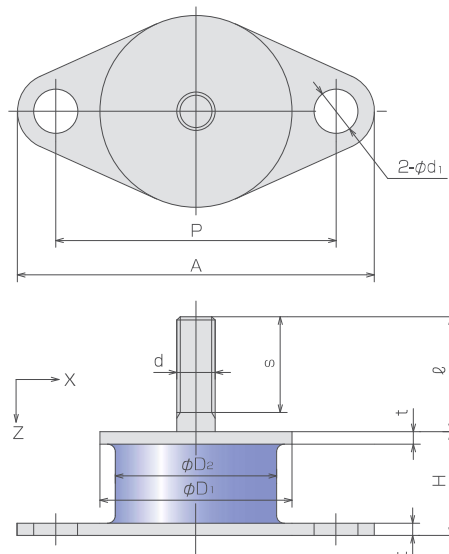
Product number	Standard dimensions mm									
	D <sub>1</sub>	D <sub>2</sub>	H	t	d	ℓ	s	A	P	d <sub>1</sub>
KA-8	8	8	11	1	M 3	10	9			
KA-10	10	10	13	1	M 4	10	9			
KA-12	12	10	16	2	M 5	12	11			
KA-15	15	12	15	2	M 5	15	12			
KA(KB)-20	20	15	15	2	M 6	15	13	49	36	7
KA(KB)-20-20H	20	15	20	2	M 6	15	13	49	36	7
KA(KB)-25	25	20	18	2.3	M 6	18	16	56	42	7
KA(KB)-25-27H	25	20	27	2.3	M 6	18	16	56	42	7
KA(KB)-30	30	25	18	2.3	M 8	24	20	62	48	7
KA(KB)-30-26H	30	25	26	2.3	M 8	24	20	62	48	7
KA(KB)-35	35	30	26	2.3	M 8	24	20	69	53	9
KA(KB)-35-35H	35	30	35	2.3	M 8	24	20	69	53	9
KA(KB)-40	40	34	25	2.3	M 8	30	25	76	60	9
KA(KB)-40-33H	40	34	33	2.3	M 8	30	25	76	60	9
KA(KB)-45	45	38	34	3.2	M 8	29	25	78	63	9
KA(KB)-45-45H	45	38	45	3.2	M 8	29	25	78	63	9
KA(KB)-50	50	42	27	3.2	M10	30	25	93	73	11.5
KA(KB)-50-40H	50	42	40	3.2	M10	30	25	93	73	11.5
KA(KB)-55	55	47	40	3.2	M10	35	30	98	78	11.5
KA(KB)-55-54H	55	47	54	3.2	M10	35	30	98	78	11.5
KA(KB)-60	60	52	30	3.2	M12	35	35	104	84	11.5
KA(KB)-60-34H	60	52	34	3.2	M12	35	35	104	84	11.5
KA(KB)-60-58H	60	52	58	3.2	M12	35	35	104	84	11.5
KA(KB)-65	65	56	34	3.2	M12	35	35	116	92	11.5
KA(KB)-65-50H	65	56	50	3.2	M12	35	35	116	92	11.5
KA(KB)-75	75	65	42	4.5	M12	45	45	126	102	11.5
KA(KB)-75-63H	75	65	63	4.5	M12	45	45	126	102	11.5
KA(KB)-80	80	70	40	4.5	M12	45	45	136	108	13.5
KA(KB)-80-55H	80	70	55	4.5	M12	45	45	136	108	13.5
KA(KB)-90	90	80	50	4.5	M12	45	45	141	117	13.5
KA(KB)-90-76H	90	80	76	4.5	M12	45	45	141	117	13.5
KA(KB)-100	100	90	50	4.5	M16	55	55	166	134	13.5
KA(KB)-100-70H	100	90	70	4.5	M16	55	55	166	134	13.5
KA(KB)-120	120	110	60	8	M16	51	51	210	160	18
KA(KB)-150	150	140	62	8	M20	※55(57)	※55(57)	250	190	22

KA type is provided with 2 hexagon nuts and 2 spring washers, and KB type is provided with 1 hexagon nut and 1 spring washer.  
※The dimensions is shifted sequentially to the (57) dimensions.

## KA type



## KB type



Product number	Support load in Z direction N (kgf)	Permissible load N (kgf)		Spring constant in Z direction N/mm (kgf/cm)	Spring constant ratio of X direction to Z direction
		Z direction	X direction		
KA-8	~ 21 { 2.1 }	36 { 3.7 }	7 { 0.7 }	17 { 17 }	0.17
KA-10	~ 34 { 3.5 }	58 { 5.9 }	9.8 { 1 }	22 { 22 }	0.16
KA-12	~ 78 { 8 }	110 { 11 }	25 { 2.5 }	41 { 42 }	0.20
KA-15	~ 130 { 13 }	160 { 16 }	34 { 3.5 }	74 { 75 }	0.20
KA(KB)-20	~ 160 { 16 }	280 { 29 }	69 { 7 }	130 { 130 }	0.15
KA(KB)-20-20H	~ 98 { 10 }	180 { 18 }	49 { 5 }	78 { 80 }	0.19
KA(KB)-25	~ 250 { 25 }	490 { 50 }	98 { 10 }	200 { 200 }	0.16
KA(KB)-25-27H	~ 160 { 16 }	310 { 32 }	59 { 6 }	93 { 95 }	0.20
KA(KB)-30	~ 450 { 46 }	890 { 91 }	170 { 17 }	310 { 320 }	0.16
KA(KB)-30-26H	~ 300 { 31 }	610 { 62 }	120 { 12 }	140 { 145 }	0.19
KA(KB)-35	~ 490 { 50 }	980 { 100 }	250 { 25 }	240 { 240 }	0.17
KA(KB)-35-35H	~ 370 { 38 }	740 { 75 }	200 { 20 }	150 { 150 }	0.20
KA(KB)-40	~ 930 { 95 }	1810 { 185 }	360 { 37 }	340 { 350 }	0.17
KA(KB)-40-33H	~ 540 { 55 }	1100 { 110 }	250 { 25 }	220 { 220 }	0.19
KA(KB)-45	~ 830 { 85 }	1700 { 170 }	290 { 30 }	290 { 300 }	0.20
KA(KB)-45-45H	~ 650 { 66 }	1300 { 130 }	210 { 21 }	170 { 170 }	0.16
KA(KB)-50	~ 1230 { 125 }	2500 { 250 }	590 { 60 }	610 { 620 }	0.17
KA(KB)-50-40H	~ 880 { 90 }	1800 { 180 }	390 { 40 }	270 { 280 }	0.19
KA(KB)-55	~ 1200 { 120 }	2400 { 242 }	400 { 41 }	350 { 360 }	0.17
KA(KB)-55-54H	~ 1100 { 110 }	2300 { 230 }	390 { 40 }	250 { 250 }	0.16
KA(KB)-60	~ 1860 { 190 }	3700 { 380 }	750 { 76 }	780 { 800 }	0.16
KA(KB)-60-34H	~ 2110 { 215 }	4200 { 430 }	930 { 95 }	650 { 660 }	0.18
KA(KB)-60-58H	~ 1400 { 140 }	2700 { 280 }	590 { 60 }	270 { 280 }	0.20
KA(KB)-65	~ 2300 { 230 }	4400 { 450 }	640 { 65 }	780 { 800 }	0.16
KA(KB)-65-50H	~ 1800 { 180 }	3500 { 360 }	540 { 55 }	410 { 420 }	0.17
KA(KB)-75	~ 2900 { 300 }	5900 { 600 }	880 { 90 }	860 { 880 }	0.16
KA(KB)-75-63H	~ 2100 { 210 }	4100 { 420 }	710 { 72 }	380 { 390 }	0.17
KA(KB)-80	~ 4170 { 425 }	8300 { 850 }	2000 { 200 }	1350 { 1380 }	0.15
KA(KB)-80-55H	~ 2900 { 300 }	5900 { 600 }	1100 { 110 }	660 { 670 }	0.17
KA(KB)-90	~ 3700 { 380 }	7500 { 760 }	1200 { 120 }	900 { 920 }	0.16
KA(KB)-90-76H	~ 2900 { 300 }	5900 { 600 }	1200 { 120 }	520 { 530 }	0.17
KA(KB)-100	~ 6200 { 630 }	12400 { 1260 }	2500 { 250 }	1610 { 1640 }	0.14
KA(KB)-100-70H	~ 3580 { 365 }	7200 { 730 }	1720 { 175 }	750 { 760 }	0.18
KA(KB)-120	~ 7700 { 785 }	15400 { 1570 }	3090 { 315 }	2160 { 2200 }	0.13
KA(KB)-150	~ 12700 { 1300 }	25500 { 2600 }	5100 { 520 }	3970 { 4050 }	0.11

The elastomer is natural rubber and hardness spring 60.

The elastomer of KA-8 and KA-10 is natural rubber and hardness spring 45. The elastomer of KA / KB-80 and KA / KB-100 is natural rubber and hardness spring 62.